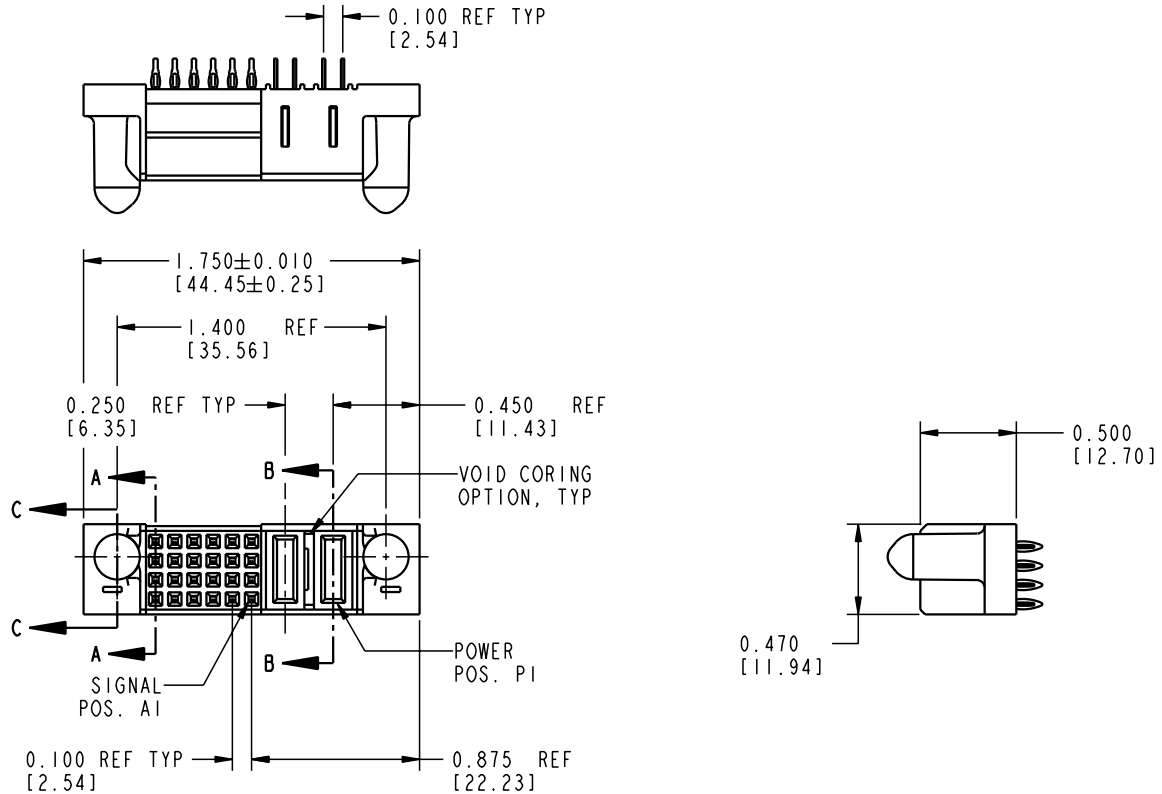


Tous droits strictement réservés. Reproduction ou communication o des liers interdite sous quelque forme que ce soit sans autorisation écrite du propriétaire. Propriete de c FCI. Droits de reproduction FCI.



All rights strictly reserved. Reproduction or issue to third parties in any form whatever is not permitted without written authority from the proprietor. Property of FCI. Copyright FCI.

PRODUCT No.	ROWS	SIGNAL					POWER		E1		
		E2	6	5	4	3	2	1		P2	P1
51742-10202400CC	D		F	F	F	F	F	F	PC	PC	
	C		F	F	F	F	F	F			
	B		F	F	F	F	F	F			
	A		F	F	F	F	F	F			



CODE	CONTACT TYPE
PC	POWER
F	SIGNAL

mat'l code		NOTE 1		tolerances unless otherwise specified		CUSTOMER		ELECTRONICS www.fciconnect.com	
ltr	ecn no.	dr	date	linear	.XX±.01/0.X±0.3		COPY		title 2P + 24S VERTICAL PRESS-FIT RECEPTACLE
A	V12108	CGD	07/25/01		.XXX±.005/0.XX±0.13		projection		
					.XXX±.0020/.XXX±.051				
				angles	0°±2°		INCH/MM		product family PwrBlade
				dr	C. DAILY	07/25/01	scale 1:1		code 213
				engr	J. ALLISON	07/25/01			sheet 1 of 2
				chr	J. ALLISON	07/25/01			
				appd	J. ALLISON	07/25/01			
sheet index	revision sheet	A	A						
		1	2						

Pro/E

cage code 22526

PDM: Rev:A

STATUS: Released

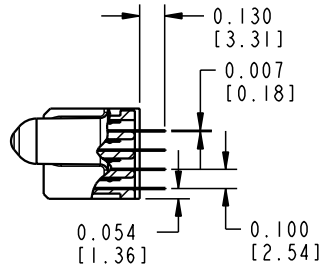
Printed: Aug 14, 2007

Tous droits strictement réservés. Reproduction ou communication o des tiers interdite sous quelque forme que ce soit sans autorisation écrite du propriétaire. Propriété de c FCI. Droits de reproduction FCI.

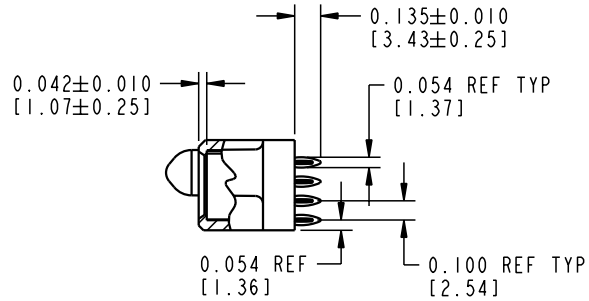


All rights strictly reserved. Reproduction or issue to third parties in any form whatever is not permitted without written authority from the proprietor. Property of FCI. Copyright FCI.

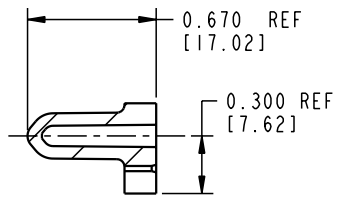
PRODUCT NUMBER
51742-10202400CC



SECTION A-A



SECTION B-B



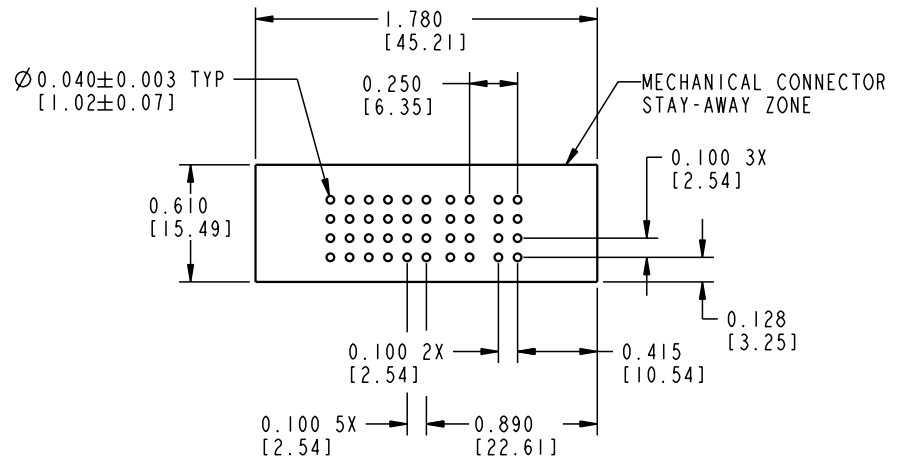
SECTION C-C

CONNECTOR NOTES:

① FOR ADDITIONAL INFORMATION, REFER TO DRAWING NUMBER 51742

PCB NOTES:

- ALL DIMENSIONS ARE BASIC UNLESS OTHERWISE SPECIFIED.
- ALL THROUGH HOLES ARE LOCATED WITH A TRUE POSITION OF 0.004 [0.10]
- ALL HOLE DIAMETERS ARE FINISHED HOLE SIZE
- $\varnothing 0.098$ [2.49] THROUGH HOLES ARE UNPLATED
- $\varnothing 0.0453 \pm 0.0010$ [1.151 \pm 0.025] DRILLED HOLES PLATED WITH 0.0003 [0.008] MIN SnPb OVER 0.001 [0.03] TO 0.003 [0.08] Cu PLATING TO ACHIEVE A $\varnothing 0.040 \pm 0.003$ [1.02 \pm 0.07] HOLE]



RECOMMENDED PCB LAYOUT

mat'l code		NOTE 1		tolerances unless otherwise specified		CUSTOMER		FCI ELECTRONICS	
ltr	ecn no.	dr	date	linear	.XX±.01/0.X±0.3	COPY		www.fciconnect.com	
A				projection	.XXX±.005/0.XX±0.13	INCH/MM		title 2P + 24S	
				angles	.XXX±.0020/.XXX±.051	scale 1:1		VERTICAL PRESS-FIT RECEPTACLE	
		dr	C. DAILY 07/25/01	product family PwrBlade		code 213			
		engr	J. ALLISON 07/25/01	size		sheet 2			
		chr	J. ALLISON 07/25/01	A		51742-10202400CC			
		appd	J. ALLISON 07/25/01						
sheet index	revision sheet								

Pro/E

cage code 22526

PDM: Rev:A

STATUS: Released

Printed: Aug 14, 2007